

# MODEL NO. : LCD-357 N/P

## SPECIFICATION

<p>DISPLAY SCREEN</p>       <p>VIDEO SYSTEM</p> <p><b>NTSC</b>      <math>f_H</math> : 15.75 Khz                    <math>f_V</math> : 60 Hz                    <math>f_C</math> : 3.58 MHz</p> <p>VIDEO INPUT</p> <p>POWER CONSUMPTION</p> <p>OPERATING TEMPERATURE</p> <p>STORAGE TEMPERATURE</p> <p>LCD SCREEN</p> <p>DRIVER BOARD</p> <p>BRIGHTNESS</p> <p>CONTRAST</p> <p>VIEWING ANGLE</p>  <p>WEIGHT</p>	<p>SCREEN SIZE      3.5 INCH</p> <p>ACTIVE AREA    72.0(W) x 50.54(H)mm</p> <p>ELEMENT        COLOR TFT LCD</p> <p>RESOLUTION     480(W)x234(H)</p> <p>DOT PITCH       0.171(W) x 0.264 (H)</p> <p>NTSC / PAL Dual System</p> <p><b>PAL</b>            <math>f_H</math> : 15.625 Khz                        <math>f_V</math> : 50 Hz                        <math>f_C</math> : 4.43 MHz</p> <p>1Vpp 75 Ohm</p> <p>432 mA, 2.16W Max.</p> <p>0 ~ 60</p> <p>-25 ~ 80</p> <p>83.0 x 60.5 x 4.5 (mm)</p> <p>77.2(W) x 60.0 (H) X 11.30 (D)</p> <p>250 nit</p> <p>250:1</p> <p>Vertical + 10 / - 30</p> <p>Horizontal ± 45 .</p> <p>60g</p>
--	--

## FEATURES

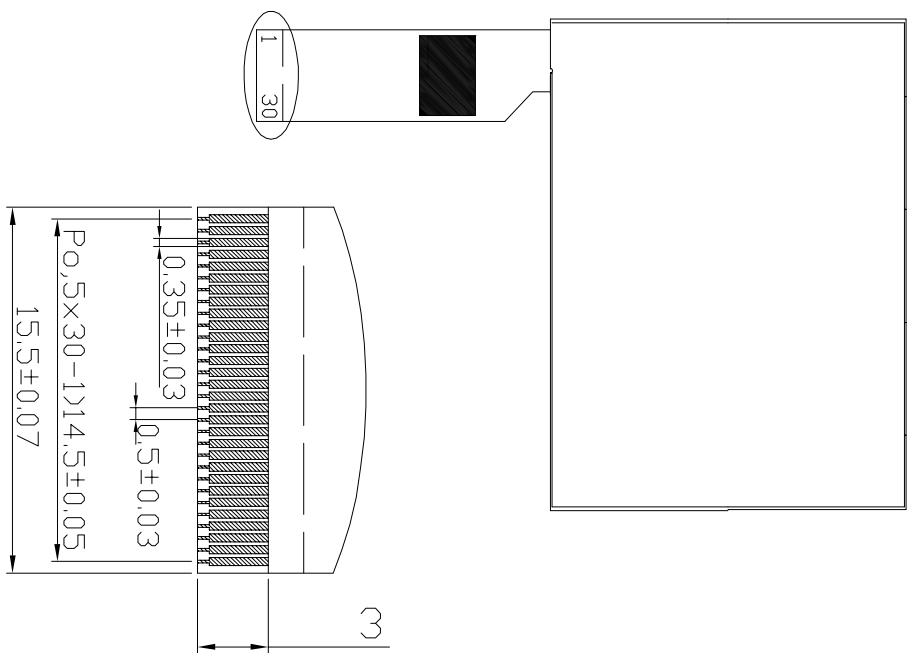
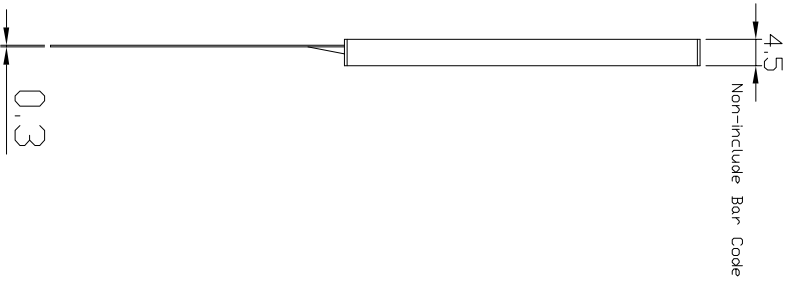
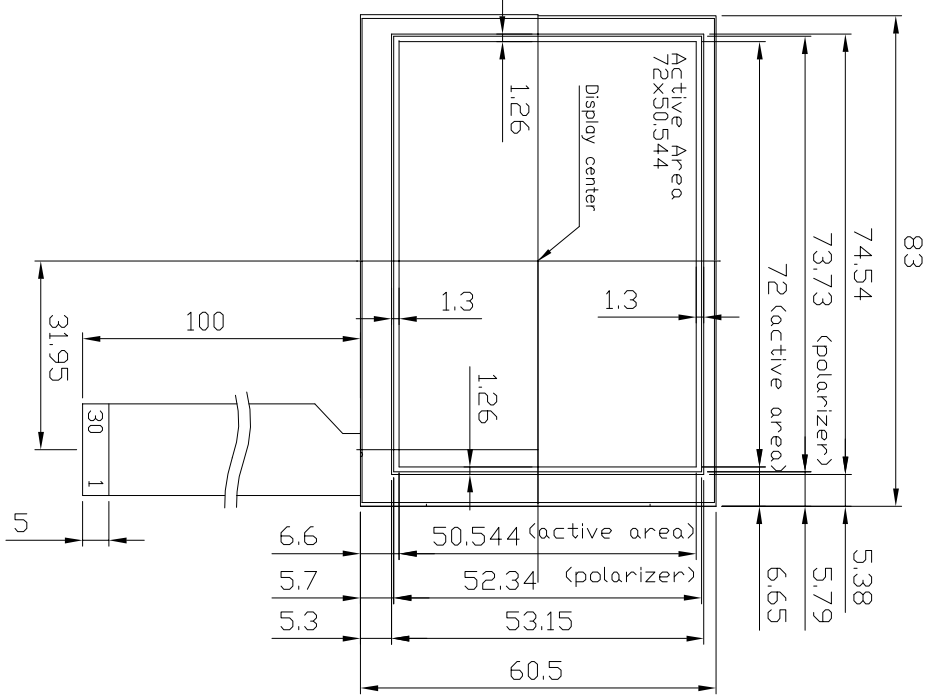
1. LEFT & RIGHT, UP/DOWN Reverse Image
2. Low Power Consumption LED back-light .

## Electronic Characteristics

Pin	Symbol	I/O	Conditions	Min	Typ	Max	Unit
1	Vin	I	DC(+)	10	12	14	V
	I in				250		mA
	P in		DC (+12V)		3.0		W
4	Video in						
5	Vo	O	DC(+5)		+5		V
	Io				2		mA
6	Bright	I	DC (+)	1.86	2.04	2.35	V
7	Contrast	I	DC (+)	2.28	2.61	3.2	V
8	Left/Right	I			TTL		V
9	UP/Down	I			TTL		V
10	Color	I	DC (+)	2.07	2.75	3.8	V
11			(Option)		Floating(normal)		V
					Grounding(dark)		
12		I	(Option)		Floating(Enable) +5		
					(disable)		

REVISION	DESCRIPTION	DATE	REVISER

# LCD Screen



VIEWTEK®  
LEE MING INDUSTRIAL CO.,LTD



MODEL NO.	PARTS NO.	DWG. DATE	MATERIAL	UNIT	PARTS NAME
LCD-357		2006/05/15		mm	3.5" PANEL
CHECKED	APPROVED	REV. DATE	SCALE	REV	FILE NO.
			FREE		
DESIGN		CHECKED		APPROVED	

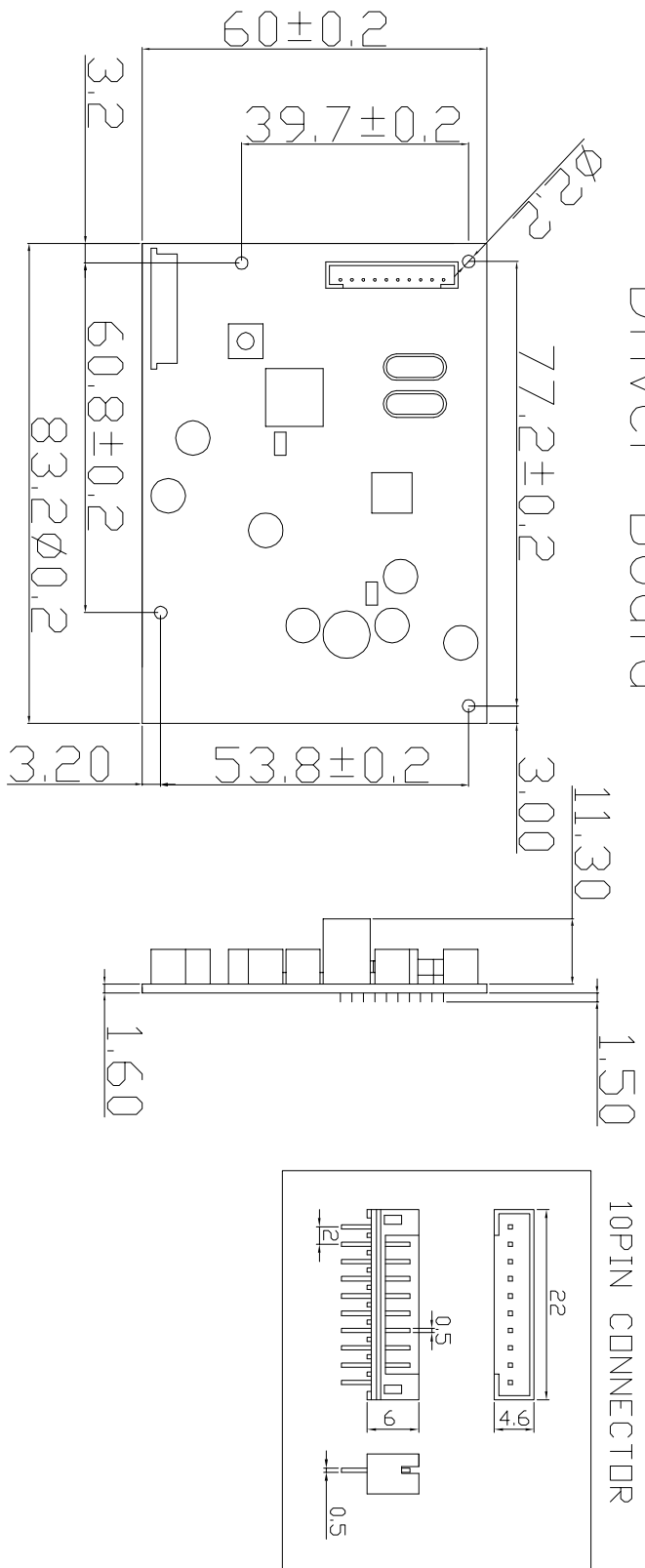
1 2 3 4 5 6 7 8

A B C D

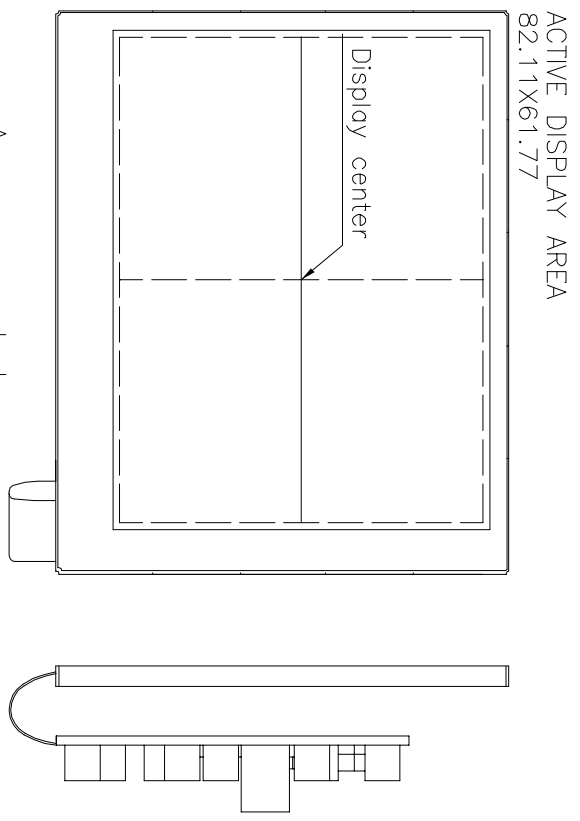
ISSUE ZONE	DESCRIPTION	DATE	REVISER

REVISION

# Driver Board



Pin	Symbol
1	Vin +12V
2	GND
3	Video-in
4	V/IN
5	+5V
6	Bright
7	Contrast
8	LRC
9	UDC
10	Color
11	
12	



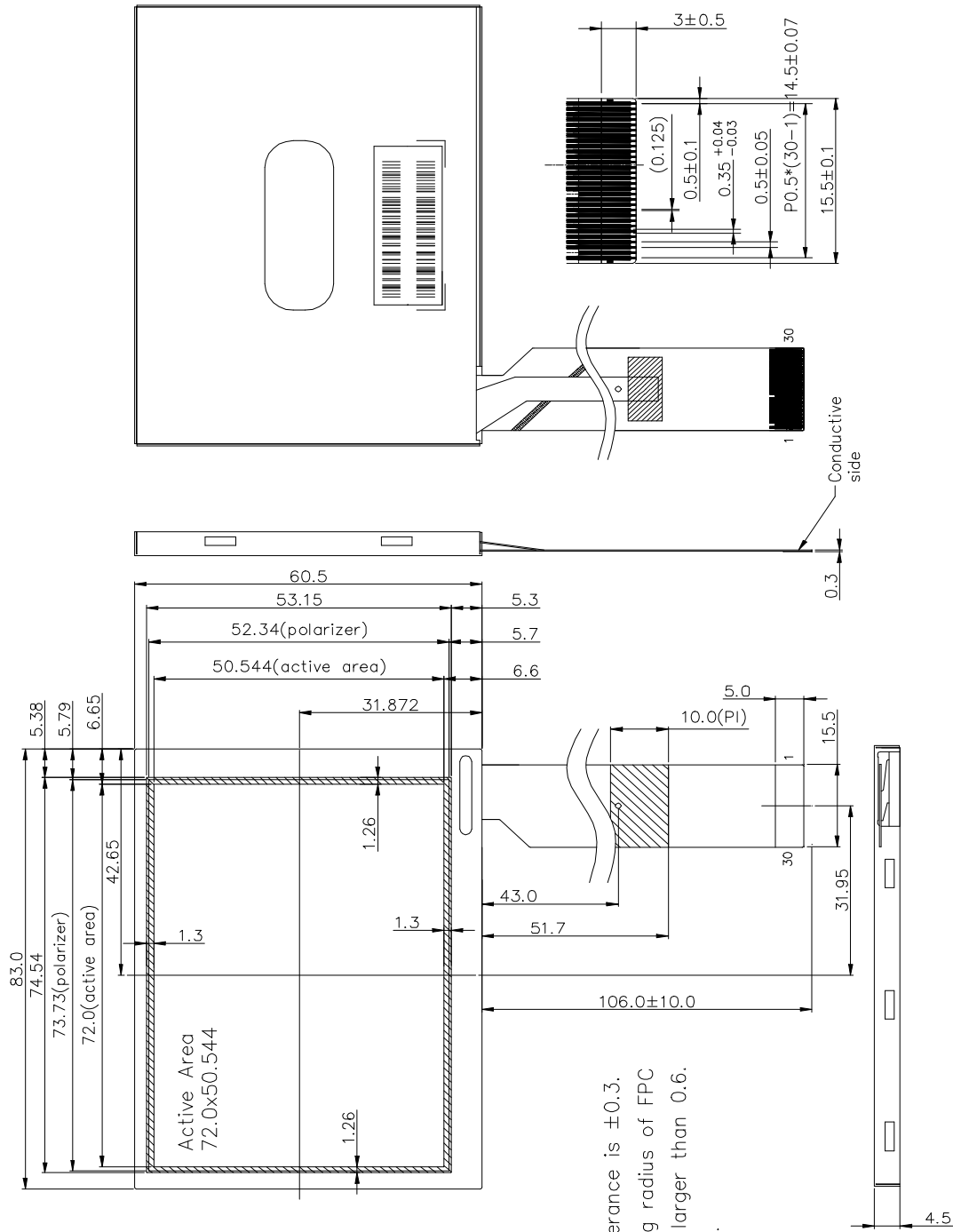
# Assembly

VIEWTEK®  
LEE MING INDUSTRIAL CO.,LTD



MODEL NO.	PARTS NO.	DWG. DATE	MATERIAL	UNIT	PARTS NAME
LCD-357		2006/07/18		mm	3.5" PANEL
CHECKED	APPROVED	REV. DATE	SCALE	REV	FILE NO.
			FREE		

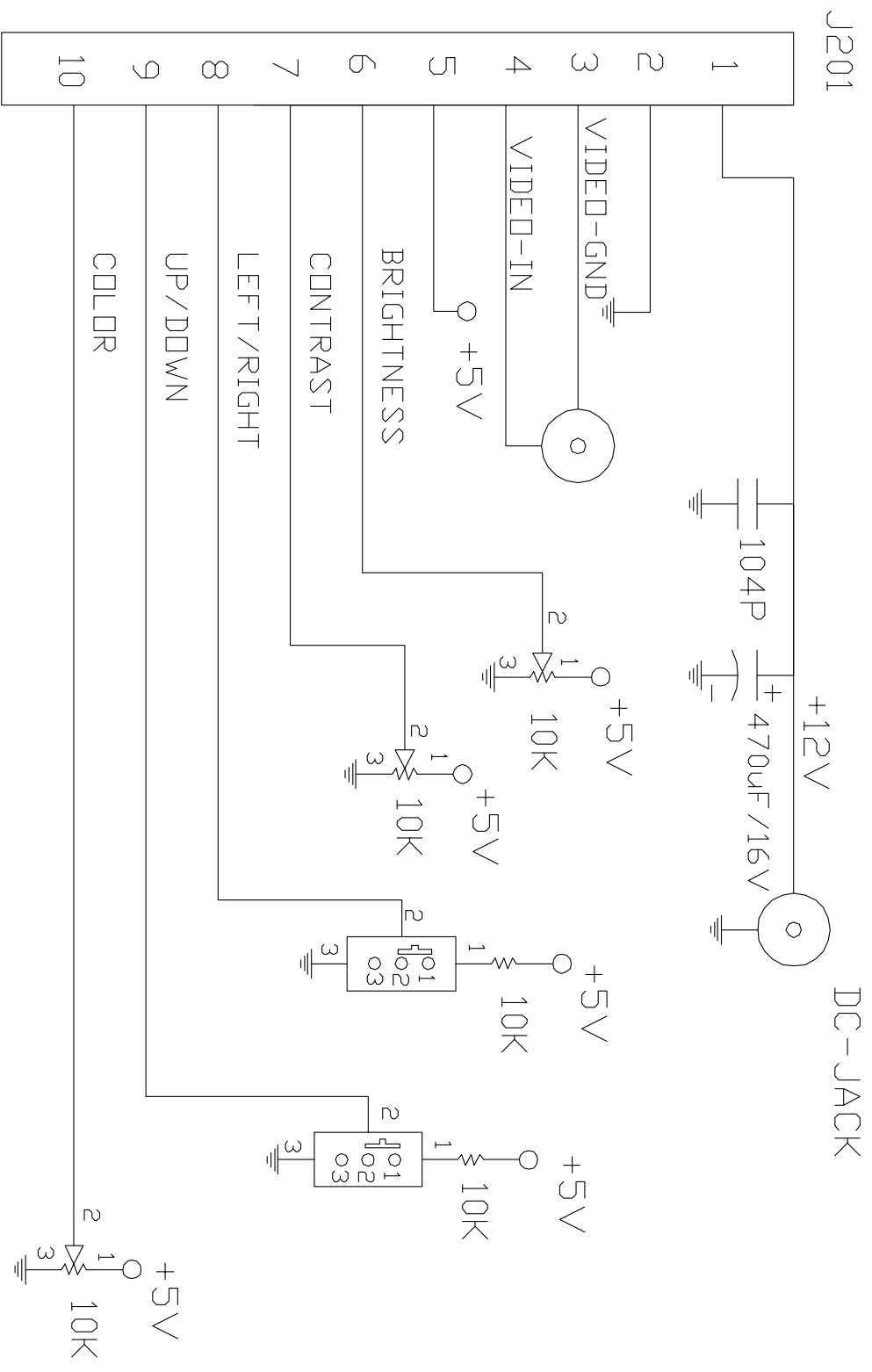
DESIGN	CHECKED	APPROVED	REV. DATE	SCALE	REV	FILE NO.	DRAWING NO.
				FREE			



- NOTES :
1. General tolerance is  $\pm 0.3$ .
  2. The bending radius of FPC should be larger than 0.6.
  3. Unit : mm.

REVISION			
ISSUE ZONE	DESCRIPTION	DATE	REVISER

# Application Circuit



VIEWTEK®  
LEE MING INDUSTRIAL CO.,LTD

MODEL NO.	PARTS NO.	DWG. DATE	MATERIAL	UNIT	PARTS NAME		
LCD-357		2006/05/15		MM			
DESIGN	CHECKED	APPROVED	REV. DATE	SCALE	REV	FILE NO.	DRAWING NO.
				'_zoom			